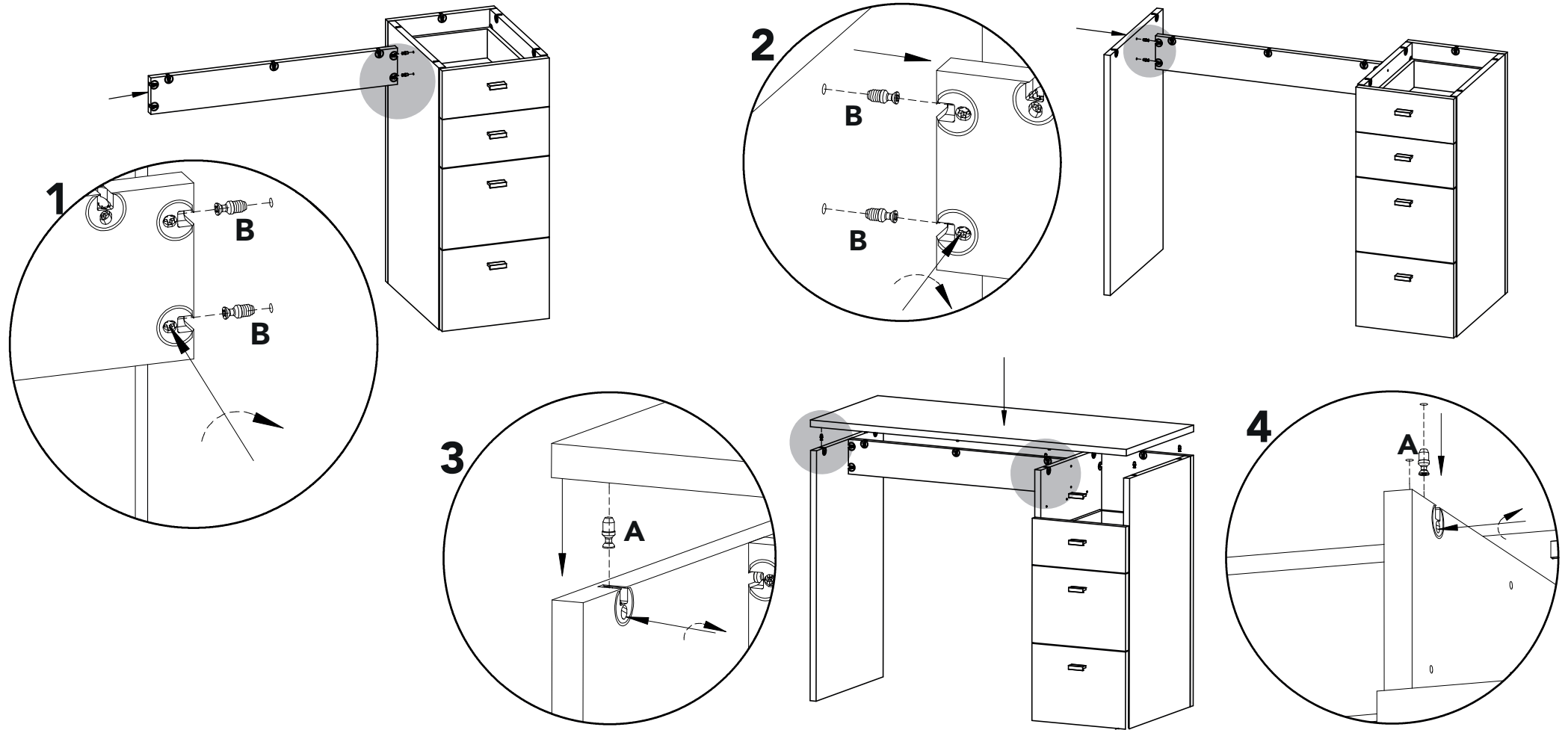


Assembling /Montaje/Assemblage



Hardware /Herrajes/Materiel



Dimensions /Dimensiones/Dimensions

