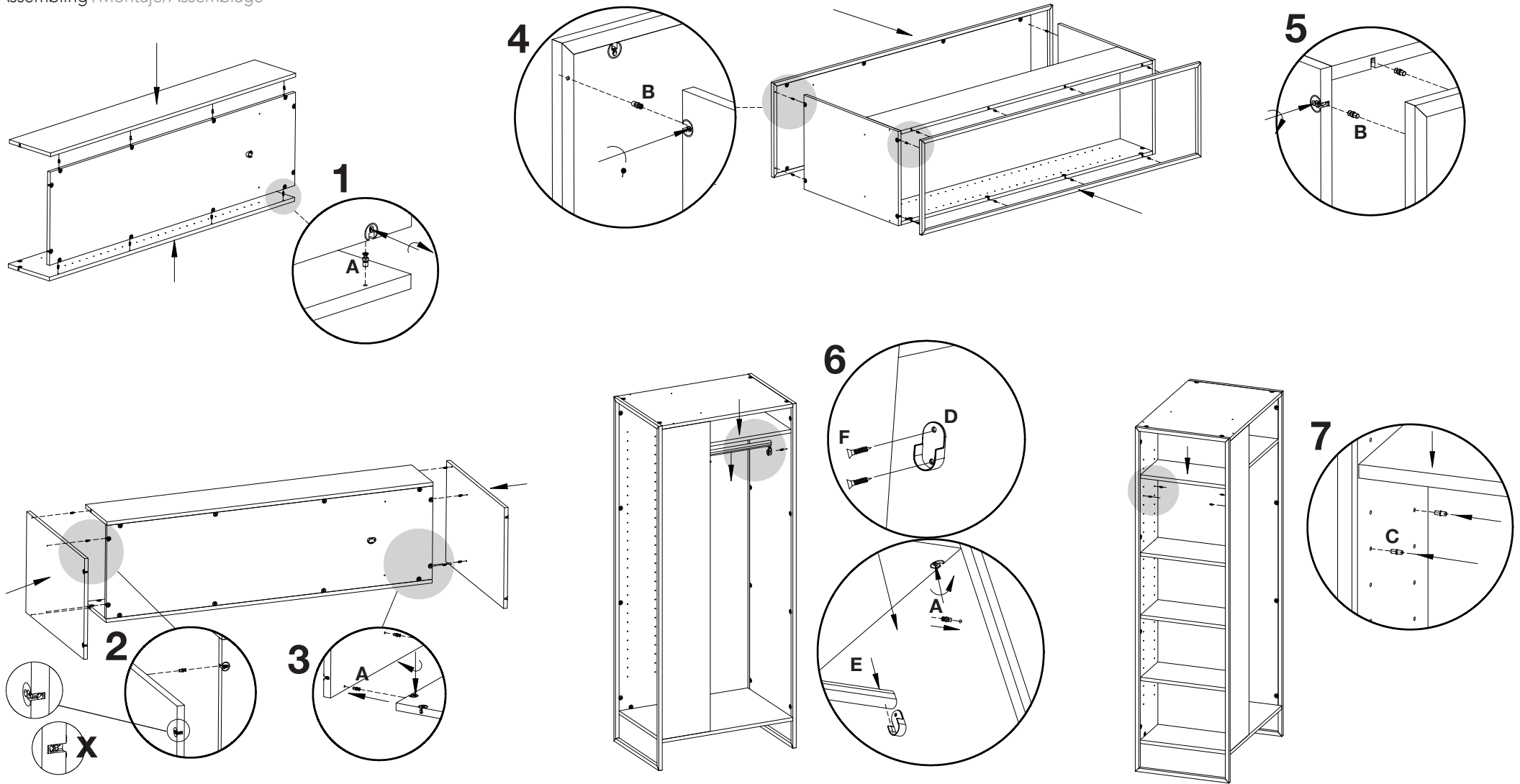
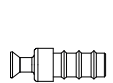


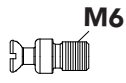
Assembling /Montaje/Assemblage



Hardware /Herrajes/Materiel



A x 22



B x 12



C x 16



D x 2



E x 1



F x 4



G x 34

Dimensions  
 /Dimensiones  
 /Dimensions

