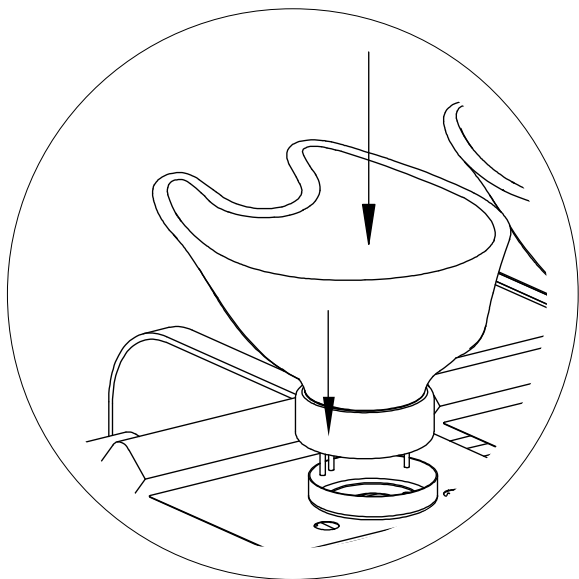
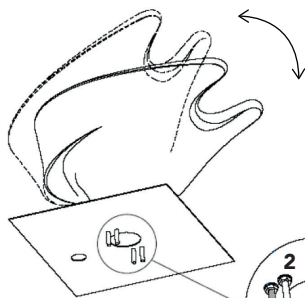
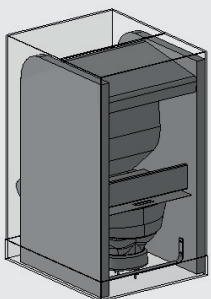


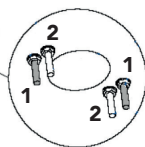
Assembly /Montaje/Assemblée



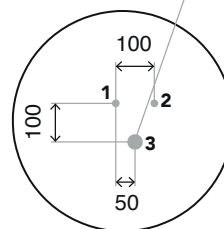
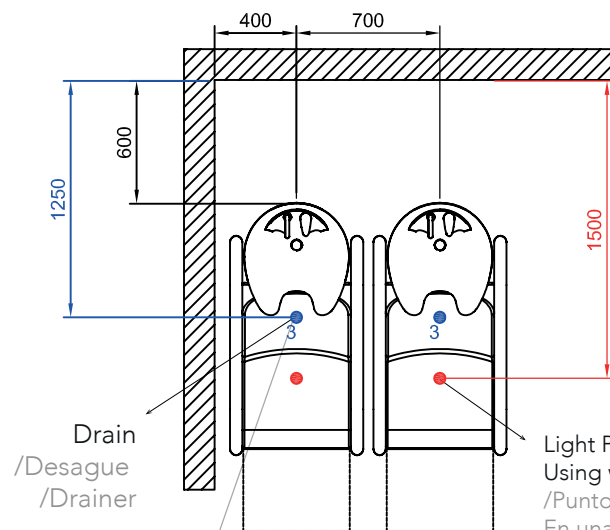
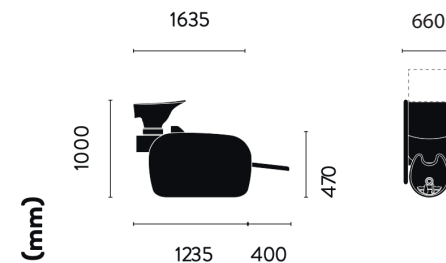
In the box
 /En la caja/Dans la boîte



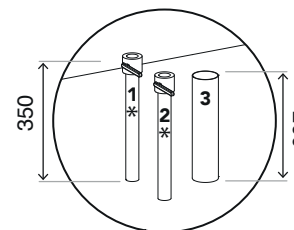
- 1** Tilting pressure adjustment
 /Regulación fuerza basculante
 /Réglage pression basculant.
- 2** Structure fixing screws
 /Fijación a estructura
 /Fixation a l'structure.



Dimensions /Dimensiones/Dimensions



- 1** (3/8" Male) Hot water /Agua caliente/Eau chaud
- 2** (3/8" Male) Cold water /Agua fría/Eau froid
- 3** (Ø 40 Interior) Drainage /Desague/Écoulement



The pipes supplied are 3/8 BSP Female
 /Los latiguillos suministrados son de 3/8 BSP Hembra
 /Les tuyau fournis son de 3/8 BSP Femelle

It is recommended to install inlet valves
 /Recomendamos instalar llaves de paso
 /Très recommandé installer robinets de pas