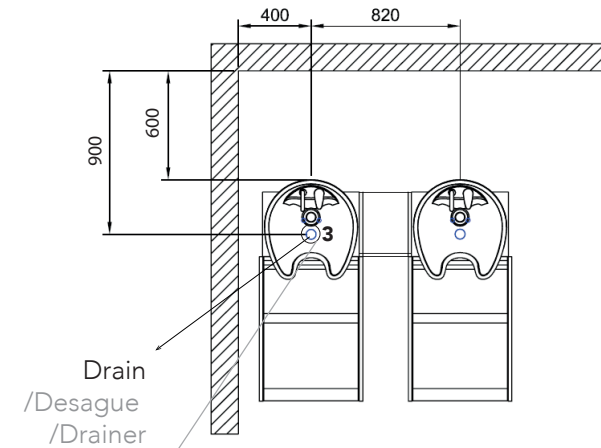
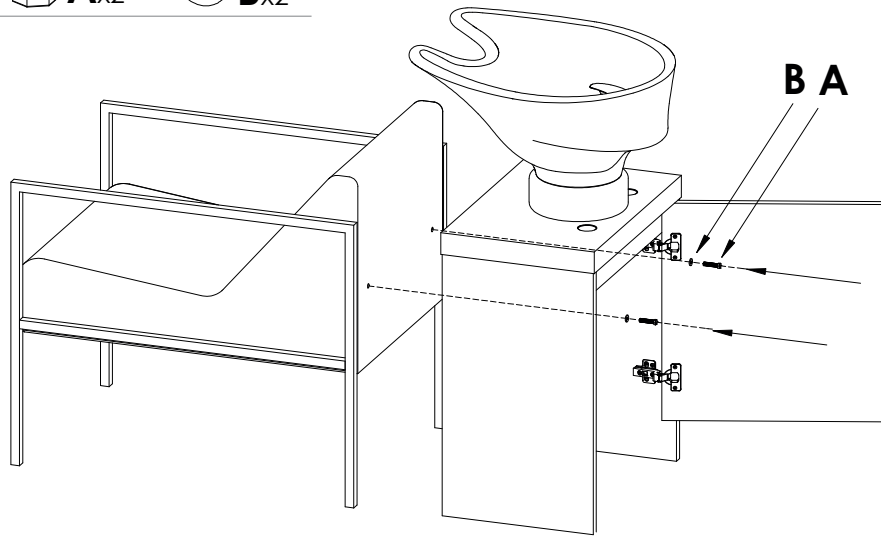
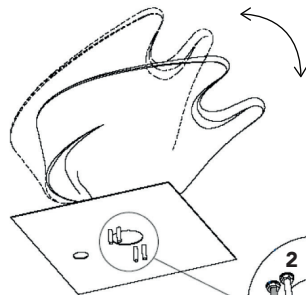
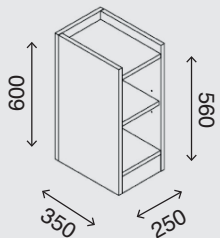


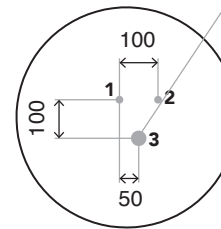
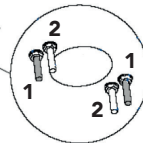
Assembly /Montaje/Assemblée



Link Unit
 /Separador /Séparateur



- 1 Tilting pressure adjustment /Regulación fuerza basculante /Réglage pression basculant.
- 2 Structure fixing screws /Fijación a estructura /Fixation a l'structure.



- 1 (3/8" Male) Hot water /Agua caliente/Eau chaud
- 2 (3/8" Male) Cold water /Agua fría/Eau froid
- 3 (Ø 40 Interior) Drainage /Desague/Écoulement

The pipes supplied are 3/8 BSP Female
 /Los latiguillos suministrados son de 3/8 BSP Hembra
 /Les tuyau fournis son de 3/8 BSP Femelle

It is recommended to install inlet valves
 /Recomendamos instalar llaves de paso
 /Très recommandé installer robinets de pas

